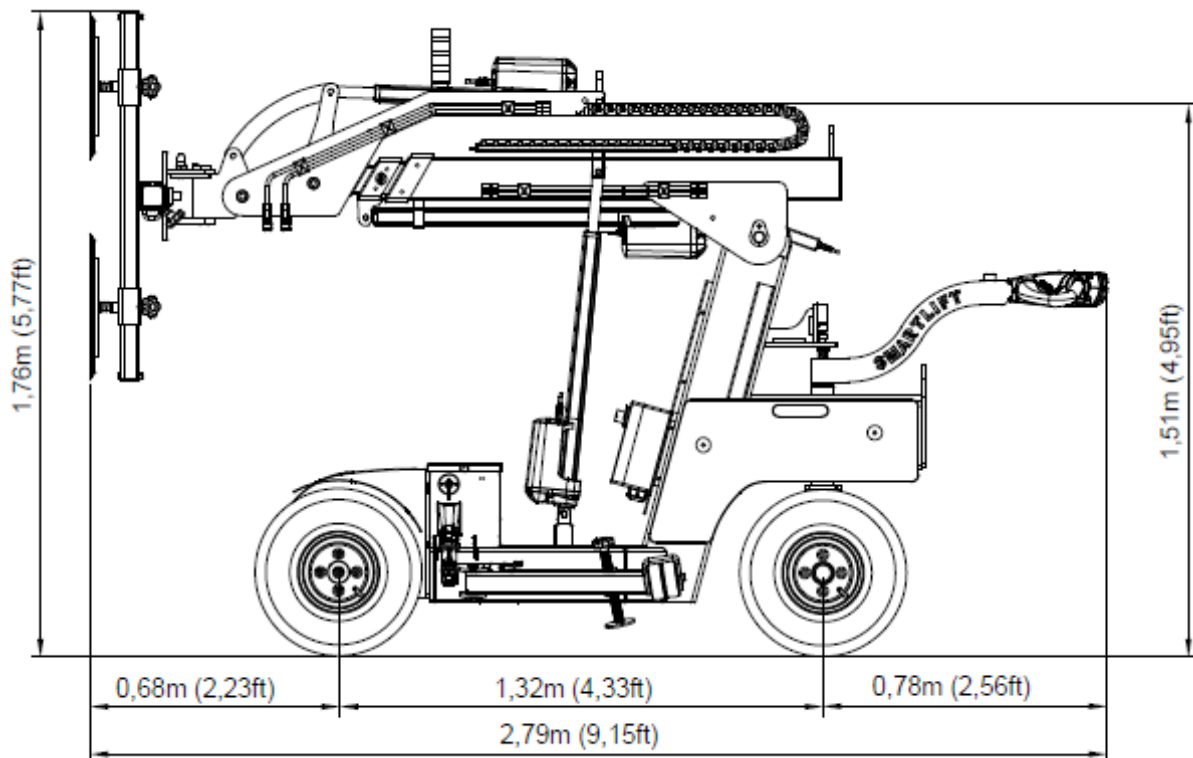
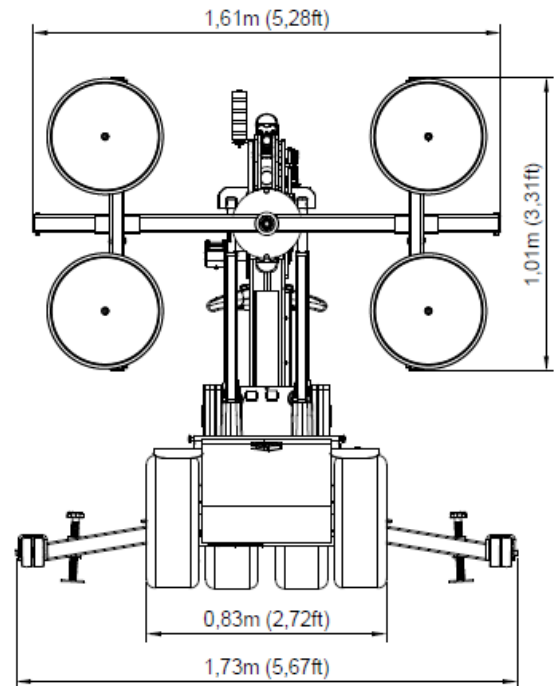


SL609 OUTDOOR HL

Technical specifications

Lifting cap. arm in/out	600/170kg – 1320/370lb
Lifting height	4,15m / 13,62ft
Extension of arm	700+900mm / 28+35in
Tilt	34° back / 98° fwd
Side shift	100mm / 4in
Charging voltage	230V / 110V
Charging time	Approx. 10 hrs.
Running period	Up to 10 hrs.
Front-wheel drive	1500W
Width	0,83m / 2,72ft
Suction pads	4xØ400mm / 4x16in
Curb weight	930kg / 2050lb



Load chart

